



## Term of Reference

# Procurement of Hand Washing Station for Lombok Timur Regency

No	Product Name	QTY (unit)	Notes
1	Hand Wasing Station (material, installation)	51	- Price include delivery cost and tax

## Background

The goods listed in this term of reference is/are required to support the ACTION Project – Active Citizens Building Solidarity and Resilience in Response to COVID-19. The project's main objectives is to enhance poor and marginalised community resilience and solidarity in responding to the impacts of pandemics. The project is implemented by a consortium where Hivos as the coordinator to lead other members consisting of 5 national NGOs, namely : SAPDA, KAPAL Perempuan, CISDI, PUPUK, and PAMFLET.

This project targets marginalized and high-risk populations in rural and urban areas in two phases. Phase one focuses on activities response, such as health care, and water and sanitation systems. Phase two addresses the social and economic recovery phase. The project will be implemented in 5 provinces in Indonesia, which included Jakarta, South Sulawesi, Yogyakarta, West Nusa Tenggara, and West Java. The duration of ACTION is in 24 months.

The distribution of Hand Washing Station is related to the Outcome I: Community-based emergency health responses amplified, and coordination with government initiatives improved

## Eligibility

This procurement request is on equal terms for all legally-constituted companies that can provide the requested products and have legal capacity to deliver in Indonesia. Tenderers must state their nationality in their tenders and provide the usual proof of nationality under their national legislation.

Tenderers are requested to state the origin of the goods, and the selected contractor will have to prove the origins of the goods. Exceptions shall be made where goods may originate from any country, in which case no certificate of origins needs to be submitted.



This project is funded by  
the European Union



In this specific quotation, tenderers located in the delivery area are preferable to ensure the safety measure and schedule of the delivery.

## Principles

The contract shall be awarded to the tender offering best value for money (i.e. the tender offering the best price-quality ratio).

## Details

Based on this listed requirement:

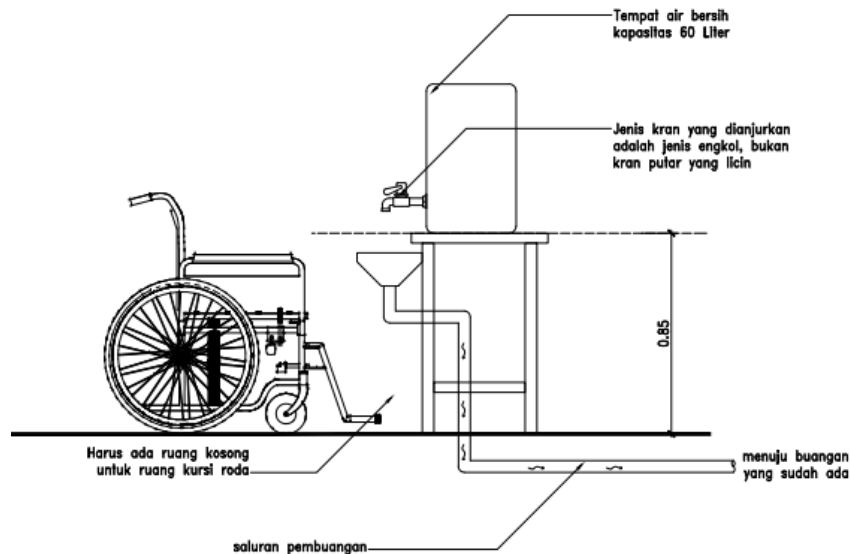
No	Provinsi	Kab/Kota	Kecamatan	Kelurahan	Desa	QTY
1	NTB	Kab. Lombok Timur	Kecamatan Selong	Kelurahan Selong		7
2			Kecamatan Selong	Kelurahan Denggen		7
3			Kecamatan Selong		Desa denggen Timur	8
4			Kecamatan Montong Gading		Desa Montong Betok	8
5			Kecamatan Montong Gading		Desa Perian	7
6			Kecamatan Lenek		Desa Lenek Lauq	7
7			Kecamatan Lenek		Desa Lenek Kalibambang	7
TOTAL						51



This project is funded by  
the European Union



Design Reference:



## Content of Quotation

Quotations should be submitted in a single e-mail and must contain:

- Description of the item/s requested
- Price quotation inclusive of tax
- Delivery method and Expected Time of Arrival
- Payment terms

## Instructions for Submission

Quotations have to be sent by e-mail to: Ms Catharina Utami [cutami@hivos.org](mailto:cutami@hivos.org) and Ms Annissa Maulani [amaulani@hivos.org](mailto:amaulani@hivos.org). Subject email: **ACTION\_Quotation\_Hand Washing station\_LOTIM**

## Award

The ACTION consortium shall award a Purchase Order to the lowest priced bidder whose quotation has been determined to be substantially compliant with other documents requested. If the tenderer's offer is selected, the consortium may ask the tenderers to submit additional documents for approval like: product quality certificates, manufacturing license, country of origin, product brochures, etc.